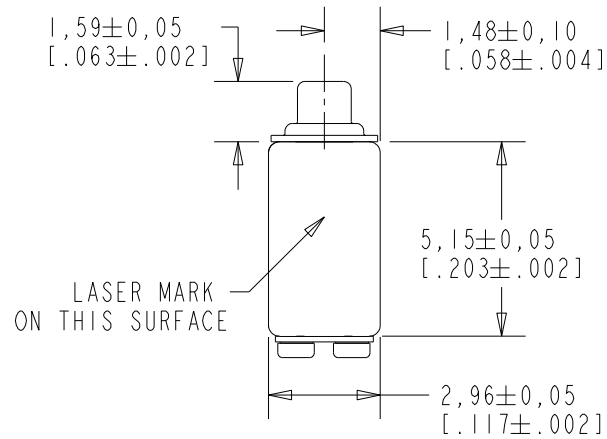
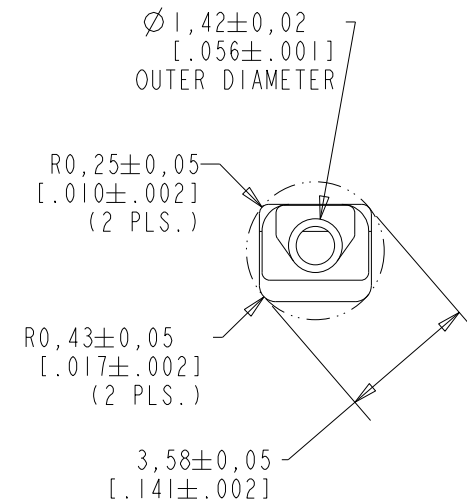
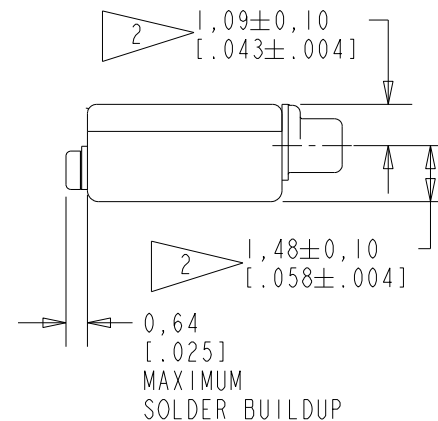
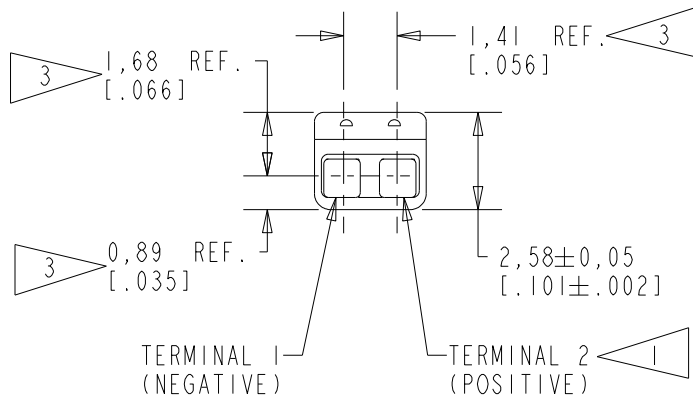


RAB-32167-000

SHT 1.1



- NOTE:
- 1 A POSITIVE GOING VOLTAGE AT TERMINAL 2, RELATIVE TO TERMINAL 1, CAUSES A DECREASE IN PRESSURE AT THE SOUND OUTLET.
  - 2 LOCATED FROM TWO SURFACES FOR CUSTOMER CONVENIENCE. ONLY APPLICABLE FROM ONE SURFACE, NOT TO BE USED TOGETHER.
  - 3 DIMENSION TO APPROXIMATE CENTER OF TERMINAL PAD.



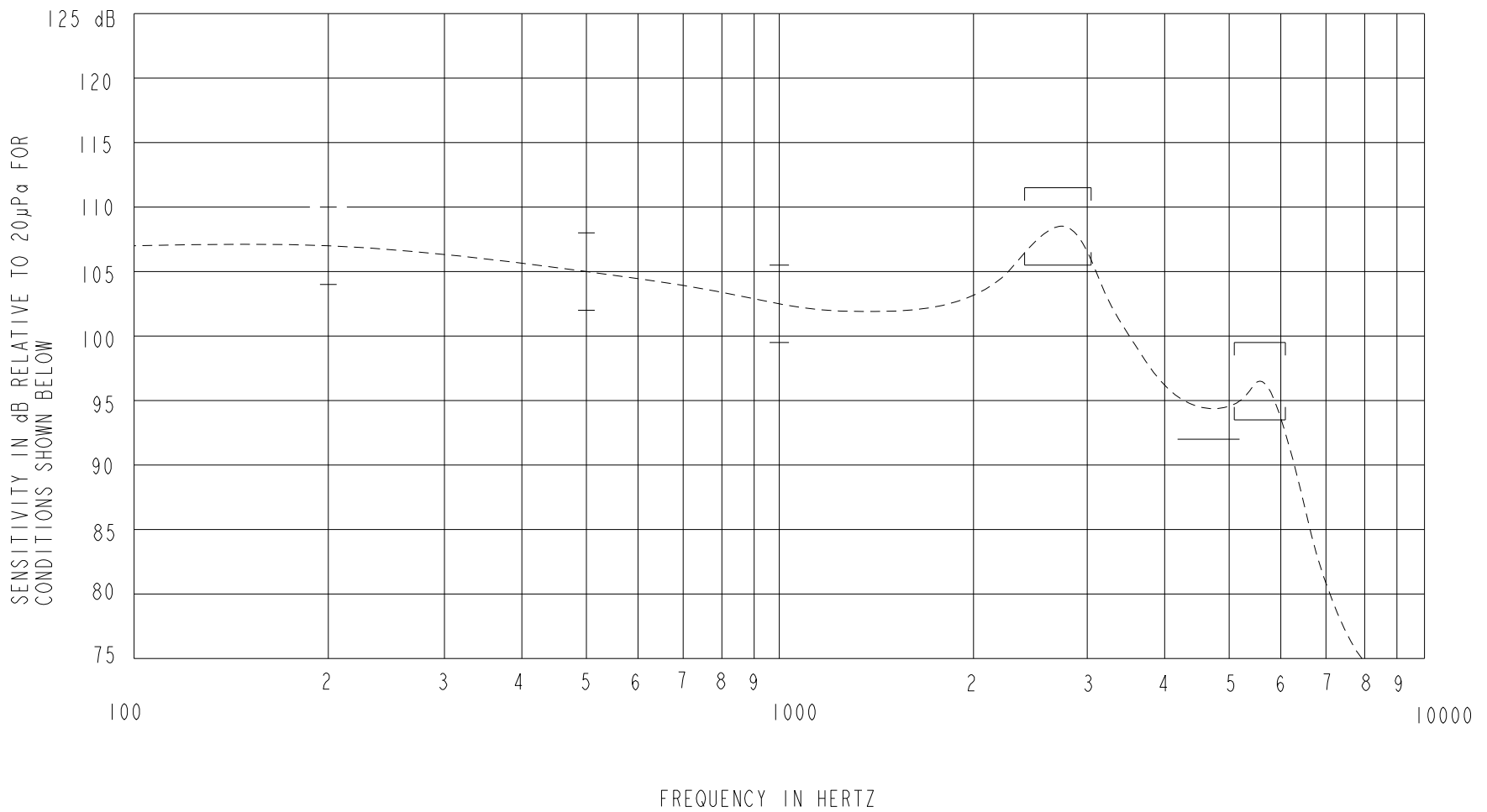
SCALE 2:1  
 NOMINAL WEIGHT .17 GRAMS  
 DIMENSIONS IN MILLIMETERS [INCHES]

**KNOWLES CORPORATION**

Revision	C.O. #	Implementation Date	RELEASE LEVEL	REVISION
C	PI0001411	5-9-17	Active	C
B	CI0116714	4-23-15		
A	CI0116266P	10-10-14		

SCALE: 5:1		DR. BY: SSUN	DATE: 10-10-14
DO NOT SCALE DRAWING			
TITLE: RECEIVER	RAB-32167-000	GJP	10-14-14
OUTLINE DRAWING	SHT 1.1	APP. BY: GJP	DATE: 10-14-14

CONSTANT VOLTAGE DRIVE RESPONSE



**ACOUSTICAL**

SENSITIVITY DEVICE WILL PRODUCE THE SPL LISTED BELOW WITH THE TEST CONDITIONS DESCRIBED IN TABLE 3. NOMINAL SENSITIVITY AT 1 kHz IS dB RELATIVE TO 20µPa. ALL OTHER VALUES IN dB RELATIVE TO THE SENSITIVITY AT 1 kHz.

LIMIT TYPE	FREQUENCY (Hz)	MINIMUM	NOMINAL	MAXIMUM
REL	200	+1.5	+4.5	+7.5
REL	500	-0.5	+2.5	+5.5
REF	1000	-3.0	102.5	+3.0
PEAK	2450-3050	+3.0	+6.0	+9.0
VALLEY	4200-5200	-10.5	---	---
PEAK	5100-6100	-9.0	-6.0	-3.0

TABLE 1.

TOTAL HARMONIC DISTORTION DEVICE WILL NOT EXCEED TOTAL HARMONIC DISTORTION LEVELS LISTED BELOW.

FREQUENCY (Hz)	DRIVE (Vrms)	LIMIT (%)
917	0.440	5
1375	0.440	5
917	0.809	10
1375	0.809	10

TABLE 2.

**TEST CONDITIONS**

NOMINAL SOURCE VOLTAGE	0.440 Vrms
SOURCE IMPEDANCE	< 1 Ω
TUBING	10mm [.394] LONG, 1mm [.039] ID.
COUPLER CAVITY	2CC SIMULATED ANSI S3.7 TYPE HA-3 (IEC 60318-5)

TABLE 3.

**ELECTRICAL**

DC RESISTANCE	247 Ω ±10%
IMPEDANCE @ 500 Hz	340 Ω ±15%
IMPEDANCE @ 1 kHz	535 Ω ±15%

TABLE 4.

ISOLATION: THE CASE WILL BE ELECTRICALLY ISOLATED FROM THE COIL CIRCUIT

**MECHANICAL**

PORT LOCATION: 12C

SOLDER TYPE: ROHS COMPLIANT SAC305

TEMPERATURE

OPERATING: SENSITIVITY WILL NOT VARY MORE THAN +1/-3 dB FROM -17°C TO 63°C

STORAGE: -40°C TO 63°C

**KNOWLES CORPORATION**

Revision	C.O. #	Implementation Date	RELEASE LEVEL	REVISION
C	PI0001411	5-9-17	Active	C
B	CI0116714	4-23-15		
A	CI0116266P	10-10-14		
WHEN TEST LIMITS ARE USED TO ESTABLISH INCOMING INSPECTION ACCEPTANCE/REJECTION CRITERIA, CORRELATION OF TEST EQUIPMENT WITH KNOWLES IS ALSO REQUIRED FOR ELIMINATION OF EQUIPMENT AND TEST METHOD VARIATION			DR. BY	DATE
TITLE: RECEIVER			SSUN	10-10-14
			RAB-32167-000	
PERFORMANCE SPECIFICATION			GJP	10-14-14
			SHT 2.1	
			APP. BY	DATE
			GJP	10-14-14